

LUNERA LUCY LAMP

LED Replacement for High Pressure Sodium Lamp

150W E26 Medium Base, Vertical Mount



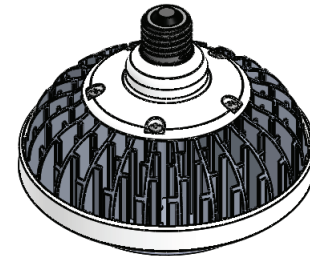
Description

The Lucy Lamp is a plug-and-play replacement for a High Pressure Sodium (HPS) lamp with an E26 medium base. With a significantly lower energy consumption than conventional HPS lamps, this LED lamp replaces 150W HPS lamps.

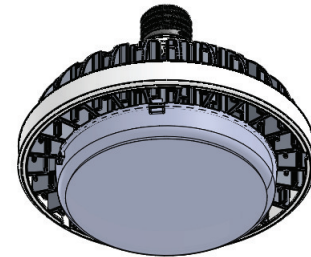
Lunera's BallastLED technology makes the lamp truly plug-and-play by allowing it to operate directly off of the existing ballast. Simply replace the existing HPS lamp with the Lucy Lamp without making any modifications to the fixture.

The Lucy Lamp has a rated life of 50,000 hours – 2 times longer than that of HPS lamps. This eliminates replacement cycles and reduces maintenance costs.

The Lucy Lamp is available in a color temperature of 4000K. It delivers consistent light levels across its long life, which results in a high quality lighting experience.



150W



150W

Features

- Replaces 150W HPS lamps
- Plug-and-play installation, operates directly off of existing installed High Pressure Sodium (HPS) ballast
- Ultra-low energy draw, extends existing ballast life
- Up to 4,800 lumens delivered
- 50W lamp power, yields 66% energy savings
- >80 CRI
- CCT 4000K
- 50,000 hours to L70 lifespan

Ordering Information

Example: LY-V-E26-150W-4000-G2

Series	Version	Socket Type	Lamp Wattage Replaced	CCT	Generation
LY: Lucy Lamp	V: Vertical	E26: Fits in medium (E26) base HPS socket	150W: Supports 150W ballasts	4000: 4000K	G2: 2nd Generation

PROJECT	CONTACT	MODEL NO.
REFERENCE NO.	QUANTITY	DATE

Product Specifications - Vertical Mount Lamp

Driven by 150W (S55) ballast

Illumination

Color Temperatures	4000K
Lumens	4000K: 4,800 lm
Color Consistency	Lunera TruColor™ proprietary process
Lumen Maintenance (L70)	50,000+ hours life

Electrical System

Input Voltage	Driven by HPS ballast
Power Consumption	50W
Lamp Wattage Replaced	150W (S55)

Physical

Dimensions (H x W)	5.5" x 6.1"
Weight	1.5 lbs
Housing and Finish	Painted
Heat Sink Size	6"

Environment

Ambient Temperature	-40°F to 100°F
Humidity Rating	Damp OK, no direct water spray
Fixture Type	Open or enclosed

Installation

Socket Type	Fits vertical mount medium base (E26) HPS socket
-------------	--

Certifications & Qualifications

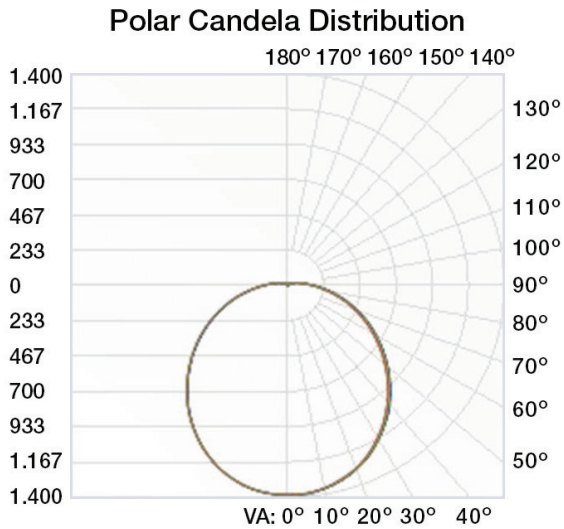
UL	Recognized, US & CAN
RoHS Compliant	Contains no lead or mercury
LM79, LM80, IES Files	Complete

Warranty

Warranty	5 years
----------	---------

Photometry

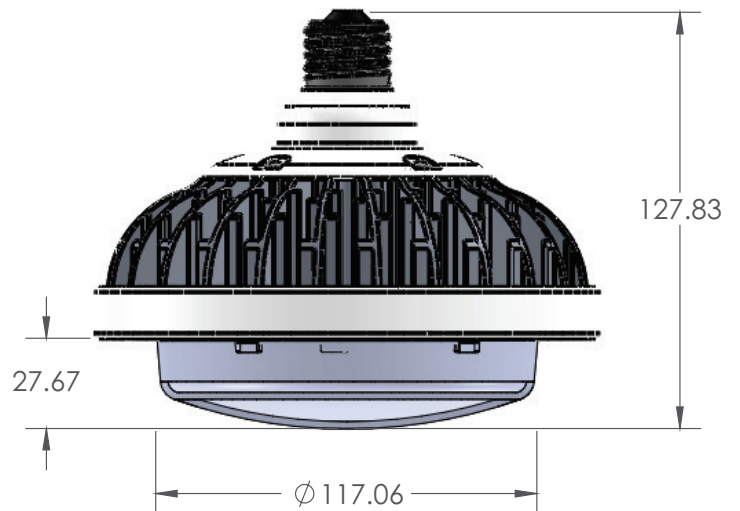
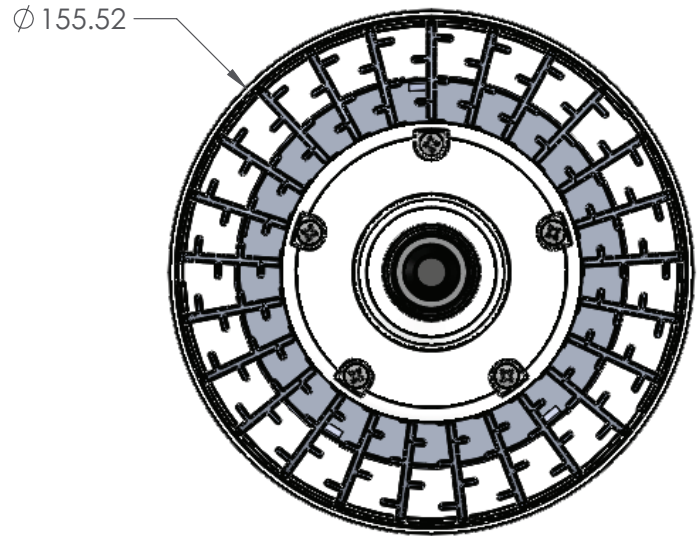
The Lucy Lamp E26 150W vertical lamp photometrics.
LM-79 REPORT NO. 101930332LAX



Product Dimensions

Measurements are rounded up. Dimensions are shown in millimeters. Please contact your Lunera representative for exact dimensions.

150W



CAUTION

- This lamp is NOT approved for use with line voltage.

© 2015 Lunera Lighting, Inc. All Rights Reserved. Lunera and the Lunera logo are registered trademarks; Lunera TruColor is a trademark of Lunera Lighting, Inc. All other trademarks are the property of their respective owners.

Specifications are subject to change without notice. This document is for informational purposes only.

