

# LUNERA LUCY LAMP

## LED Replacement for High Pressure Sodium Lamp

100W / 70W / 50W E26 Medium Base, Vertical Mount



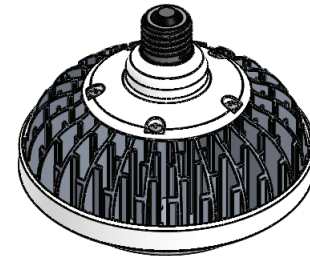
### Description

The Lucy Lamp is a plug-and-play replacement for a High Pressure Sodium (HPS) lamp with an E26 medium base. With a significantly lower energy consumption than conventional HPS lamps, this LED lamp replaces 100W, 70W or 50W HPS lamps.

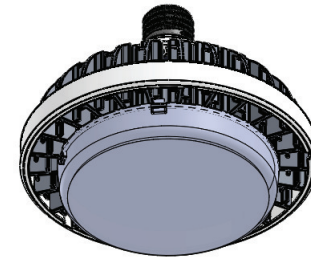
Lunera's BallastLED technology makes the lamp truly plug-and-play by allowing it to operate directly off of the existing ballast. Simply replace the existing HPS lamp with the Lucy Lamp without making any modifications to the fixture.

The Lucy Lamp has a rated life of 50,000 hours – 2 times longer than that of HPS lamps. This eliminates costly replacement cycles and reduces maintenance costs.

The Lucy Lamp is available in a color temperature of 4000K. It delivers consistent light levels across its long life, which results in a high quality lighting experience.



100W  
70W  
50W



100W  
70W  
50W

### Features

- Replaces 100W, 70W, or 50W HPS lamps
- Plug-and-play installation, operates directly off of existing installed High Pressure Sodium (HPS) ballast
- Ultra-low energy draw, extends existing ballast life
- Up to 4,600 lumens delivered
- 26W to 48W lamp power, yields 60%-70% energy savings
- >80 CRI
- CCT 4000K
- 50,000 hours to L70 lifespan

### Ordering Information

Example: LY-V-E26-MULTIW-4000-G2

Series	Version	Socket Type	Lamp Wattage Replaced	CCT	Generation
<b>LY:</b> Lucy Lamp	<b>V:</b> Vertical	<b>E26:</b> Fits in medium (E26) base HPS socket	<b>MULTIW:</b> Supports 100W, 70W or 50W ballasts	<b>4000:</b> 4000K	<b>G2:</b> 2nd Generation

PROJECT	CONTACT	MODEL NO.
REFERENCE NO.	QUANTITY	DATE

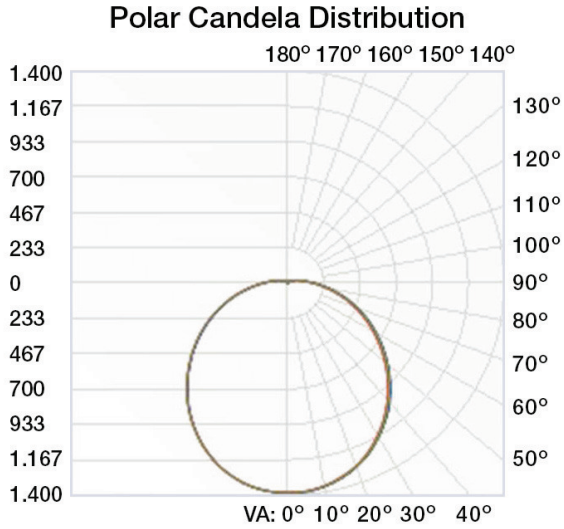
# LUNERA LUCY LAMP

## Product Specifications - Vertical Mount Lamp

	Driven by 100W (S54) ballast	Driven by 70W (S62) ballast	Driven by 50W (S68) ballast
<b>Illumination</b>			
Color Temperatures	4000K	4000K	4000K
Lumens	4000K: 4,600 lm	4000K: 3,800 lm	4000K: 2,900 lm
Color Consistency	Lunera TruColor™ proprietary process	Lunera TruColor™ proprietary process	Lunera TruColor™ proprietary process
Lumen Maintenance (L70)	50,000+ hours life	50,000+ hours life	50,000+ hours life
<b>Electrical System</b>			
Input Voltage	Driven by HPS ballast	Driven by HPS ballast	Driven by HPS ballast
Power Consumption	48W	36W	26W
Lamp Wattage Replaced	100W (S54)	70W (S62)	50W (S68)
<b>Physical</b>			
Dimensions (H x W)	5.5" x 6.1"	5.5" x 6.1"	5.5" x 6.1"
Weight	1.5 lbs	1.5 lbs	1.5 lbs
Housing and Finish	Painted	Painted	Painted
Heat Sink Size	6"	6"	6"
<b>Environment</b>			
Ambient Temperature	-40°F to 100°F	-40°F to 100°F	-40°F to 100°F
Humidity Rating	Damp OK, no direct water spray	Damp OK, no direct water spray	Damp OK, no direct water spray
Fixture Type	Open or enclosed	Open or enclosed	Open or enclosed
<b>Installation</b>			
Socket Type	Fits vertical mount medium base (E26) HPS socket	Fits vertical mount medium base (E26) HPS socket	Fits vertical mount medium base (E26) HPS socket
<b>Certifications &amp; Qualifications</b>			
UL	Recognized, US & CAN	Recognized, US & CAN	Recognized, US & CAN
RoHS Compliant	Contains no lead or mercury	Contains no lead or mercury	Contains no lead or mercury
LM79, LM80, IES Files	Complete	Complete	Complete
<b>Warranty</b>			
Warranty	5 years	5 years	5 years

## Photometry

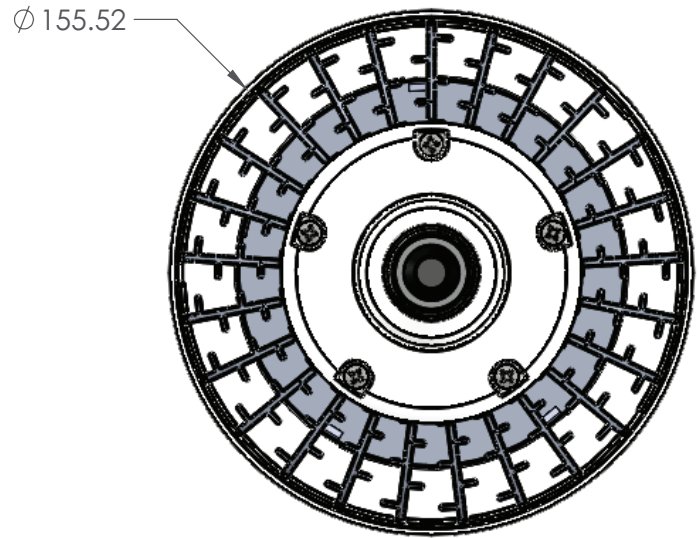
The Lucy Lamp E26 100W vertical lamp photometrics.  
LM-79 REPORT NO. 101930332LAX-049



## Product Dimensions

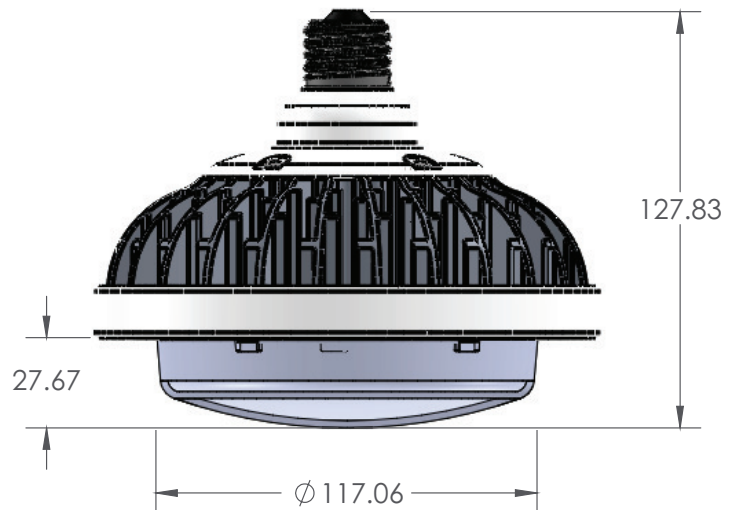
Measurements are rounded up. Dimensions are shown in millimeters. Please contact your Lunera representative for exact dimensions.

100W / 70W / 50W



## CAUTION

- This lamp is NOT approved for use with line voltage.



© 2015 Lunera Lighting, Inc. All Rights Reserved. Lunera and the Lunera logo are registered trademarks; Lunera TruColor is a trademark of Lunera Lighting, Inc. All other trademarks are the property of their respective owners.

Specifications are subject to change without notice. This document is for informational purposes only.

