

LUNERA LUCY LAMP

LED Replacement for High Pressure Sodium Lamp

400W / 310W / 250W / 200W E39 Mogul Base, Vertical Mount



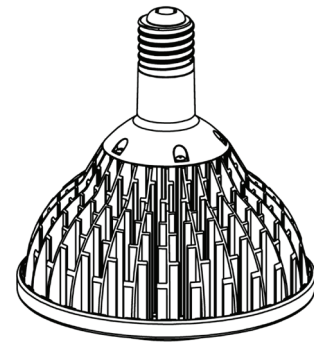
Description

The Lucy Lamp is a plug-and-play replacement for a High Pressure Sodium (HPS) lamp with an E39 mogul base. With a significantly lower energy consumption than conventional HPS lamps, this LED lamp replaces 400W, 310W, 250W or 200W HPS lamps.

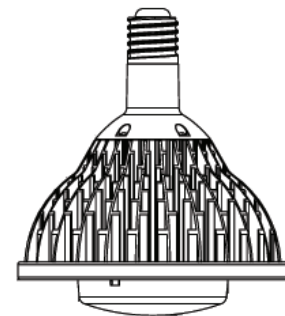
Lunera's BallastLED technology makes the lamp truly plug-and-play by allowing it to operate directly off of the existing ballast. Simply replace the existing HPS lamp with the Lucy Lamp without making any modifications to the fixture.

The Lucy Lamp has a rated life of 50,000 hours – 2 times longer than that of HPS lamps. This eliminates costly replacement cycles and reduces maintenance costs.

The Lucy Lamp is available in a color temperature of 4000K. It delivers consistent light levels across its long life, which results in a high quality lighting experience.



400W/310W/
250W/200W



400W/310W/
250W/200W

Features

- Replaces 400W, 310W, 250W, or 200W HPS lamps
- Plug and Play installation, with existing installed magnetic ballasts
- Ultra-low energy draw extends existing magnetic ballast life
- Up to 13,000 lumens fixture delivered light output
- 77W to 164W lamp power, yields 60% to 70% energy savings
- >80 CRI
- CCT 4000K
- 50,000 hours to L70 lifespan
- Thermal IQ™ to support ambient temperatures up to 150°F

Ordering Information

Example: LY-V-E39-MULTIW-4000-G2

Series	Version	Socket Type	Lamp Wattage Replaced	CCT	Generation
LY: Lucy Lamp	V: Vertical	E39: Fits in mogul (E39) base MH socket	MULTIW: Supports 400W, 310W, 250W or 200W ballasts	4000: 4000K	G2: 2nd Generation

PROJECT	CONTACT	MODEL NO.
REFERENCE NO.	QUANTITY	DATE

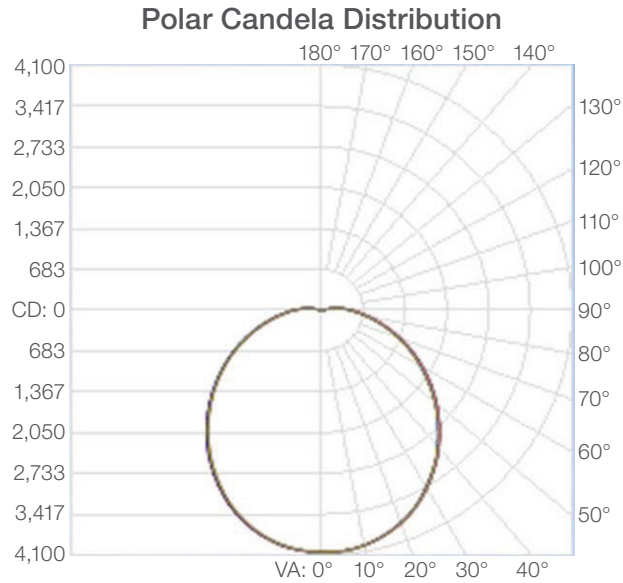
Performance Specifications - Vertical Mount Lamp - 400W / 310W / 250W / 200W

	Driven by 400W (S51) Ballast	Driven by 310W (S67) Ballast	Driven by 250W (S66) Ballast	Driven by 200W (S50) Ballast
Illumination				
Color Temperatures	4000K	4000K	4000K	4000K
Lumens	13,000 lm	11,000 lm	9,000 lm	8,000 lm
Color Consistency	Lunera TruColor™ proprietary process	Lunera TruColor™ proprietary process	Lunera TruColor™ proprietary process	Lunera TruColor™ proprietary process
Lumen Maintenance (L85)	50,000+ hours life	50,000+ hours life	50,000+ hours life	50,000+ hours life
Electrical System				
Input Voltage	Driven by magnetic HPS ballast	Driven by magnetic HPS Ballast	Driven by magnetic HPS Ballast	Driven by magnetic HPS Ballast
Power Consumption	164W	127W	99W	76W
Lamp Wattage Replaced	400W	310W	250W	200W
Physical				
Dimensions (H x W)	9.4" x 8.2"	9.4" x 8.2"	9.4" x 8.2"	9.4" x 8.2"
Weight	3.75 lbs	3.75 lbs	3.75 lbs	3.75 lbs
Housing and Finish	Painted	Painted	Painted	Painted
Heat Sink Size	8"	8"	8"	8"
Environment				
Ambient Temperature	-40°F to 150°F	-40°F to 150°F	-40°F to 150°F	-40°F to 150°F
Humidity rating	Damp OK, no direct water spray	Damp OK, no direct water spray	Damp OK, no direct water spray	Damp OK, no direct water spray
Fixture Type	Open or enclosed	Open or enclosed	Open or enclosed	Open or enclosed
Installation				
Socket Type	Fits vertical mount mogul base (E39/EX39) HPS socket	Fits vertical mount mogul base (E39/EX39) HPS socket	Fits vertical mount mogul base (E39/EX39) HPS socket	Fits vertical mount mogul base (E39/EX39) HPS socket
Certifications & Qualifications				
UL	Recognized US, CAN	Recognized US, CAN	Recognized US, CAN	Recognized US, CAN
RoHS Compliant	Contains no lead or mercury	Contains no lead or mercury	Contains no lead or mercury	Contains no lead or mercury
LM79, LM80, IES Files	Available	Available	Available	Available
Warranty				
Warranty	5 years	5 years	5 years	5 years



Photometry

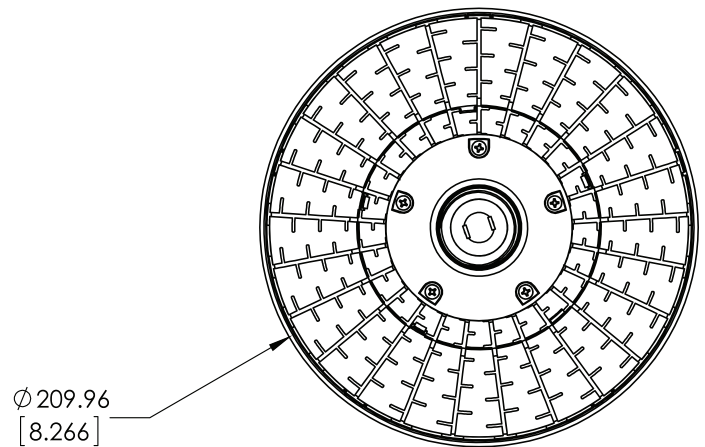
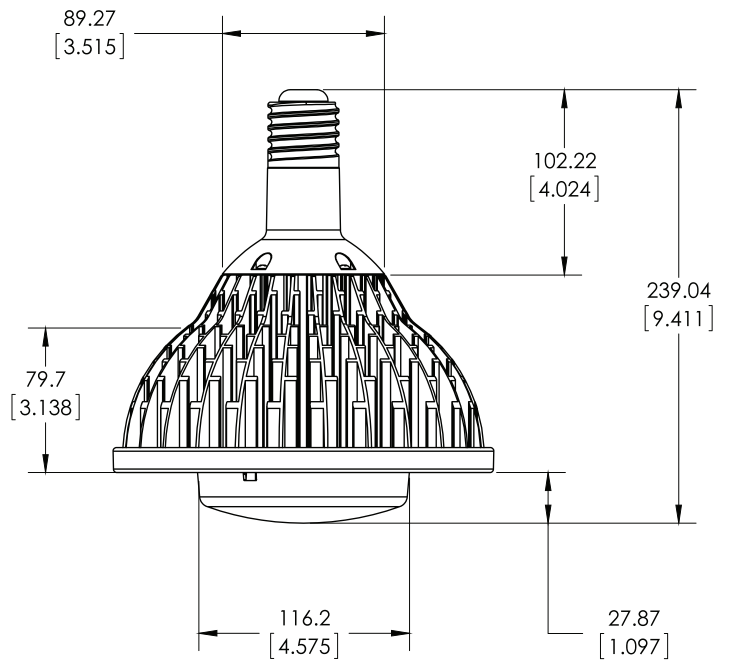
Vertical lamp photometrics for the Lucy Lamp E39 400W.
LM-79 REPORT NO. 101930332LAX-077



Product Dimensions

Measurements are rounded up. Dimensions are shown in mm and [inches]. Please contact your Lunera representative for exact dimensions.

400W / 310W / 250W / 200W



CAUTION

- This lamp is NOT approved for use in line voltage.

© 2014 Lunera Lighting, Inc. All Rights Reserved. Lunera and the Lunera logo are registered trademarks; Lunera TruColor is trademark of Lunera Lighting, Inc. All other trademarks are the property of their respective owners.

Specifications are subject to change without notice. This document is for informational purposes only.

