

LED Display Lighting Refrigerated Cooler Light CL8 Series

Installation Guide



This procedure is designed as an installation aid. Skilled trades people that are familiar with general construction and electrical installation techniques should perform the installation. Licensed electricians should provide electrical installation connections. Installations and connections should be done in accordance with all national and local codes and permits. In no way is this document intended to construe warranty or fitness of use of the products described, nor is it intended to provide safety instruction for those installing the product.

WARNING

Before proceeding with installation or service maintenance of this product:

- Disconnect power to reduce electrical shock risk.
- Review the entire Installation Guide.
- Inspect this properly packaged product for any damage that may have occurred during transit.
- Verify product application complies with manufacturer design recommendations.
- Verify the availability of necessary tools and incidental material.
- Verify applicable code requirements. Field assembly and installation are subject to acceptance by local inspection authority.
- Appropriate safety equipment to be determined by end user, per applicable safety standards and precautions.

CL8 Installation



Fig. 1

The CL8 fixture is driven by a constant voltage power supply (PS). Leotek offers three versions:

- STD24027L (Fig. 1) is a 65 watt PS capable of internal mullion mounting which can be field wired for standard 100% on mode, or wired with a motion sensor for 100% to 40% bi-level mode;
- LED120A0024V41RD is an Advance 100 watt PS to drive more units and mounts external to mullion;
- SPSTSL-V25A1040V24 is a 25 watt PS for a low quantity and mounts external to the mullion.

Step 1 – Determine the power supply required for the CL8 quantity and fixture length, as well as the desired light output. The CL8 fixture has three input leads so each unit can be field wired to be driven at high (700mA), medium (530mA) or low (350mA) drive current. The drive current determines the light output with its corresponding wattage draw. To determine the best PS for the application, see Chart 1 on page 4.



Fig. 2

Step 2 – Disconnect or shut off the power to the existing fluorescent fixtures. Remove the fluorescent ballast and, if using the STD24027L power supply (Fig.2), install where ballast is located, which can be in the “mullion” area between the doors, behind the fluorescent lamp, or above/below the door in a raceway. If using the Advance LED120A0024V41RD or the Leotek SPSTSL-V25A1040V24, install in an approved electrical raceway or enclosure. Wire as shown in Fig. 2 - Line to the White lead and Neutral to the Black lead. Electrical connectors not included. See page 3 for more information.



Fig. 3a



Fig. 3b

Step 3 – Mount the CL8 cooler light in the cooler where the fluorescent tube was removed, using a tec screw through the mounting hole in the end cap, as shown in Fig. 3a and 3b.

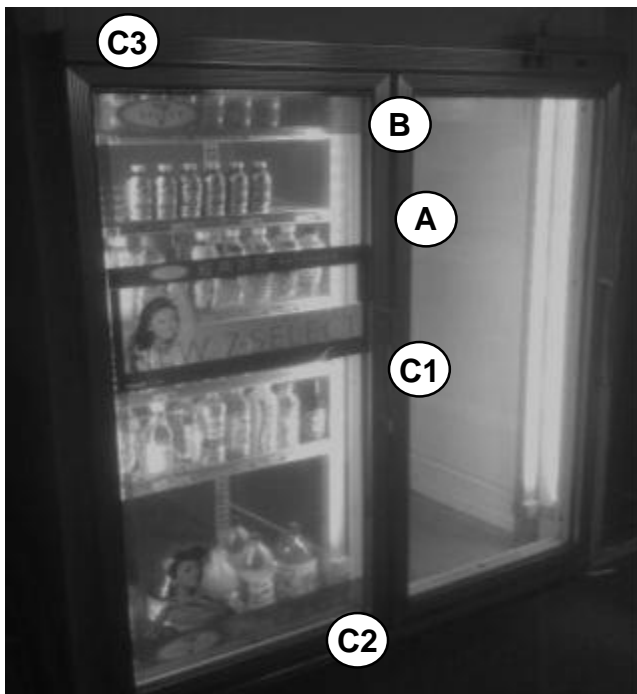


Fig. 4

Step 4 – Connect the power supply to the CL6 fixture’s wiring using the corresponding wire color for the chosen drive current. Fig. 4 shows the STD24027L being connected to the high (700mA) lead into the CL8. See wiring chart on page 5 for choices of wiring on the STD24027L. See chart on page 5 with max distance that power supply can be placed from CL8 fixture.

Removal of Existing Lighting

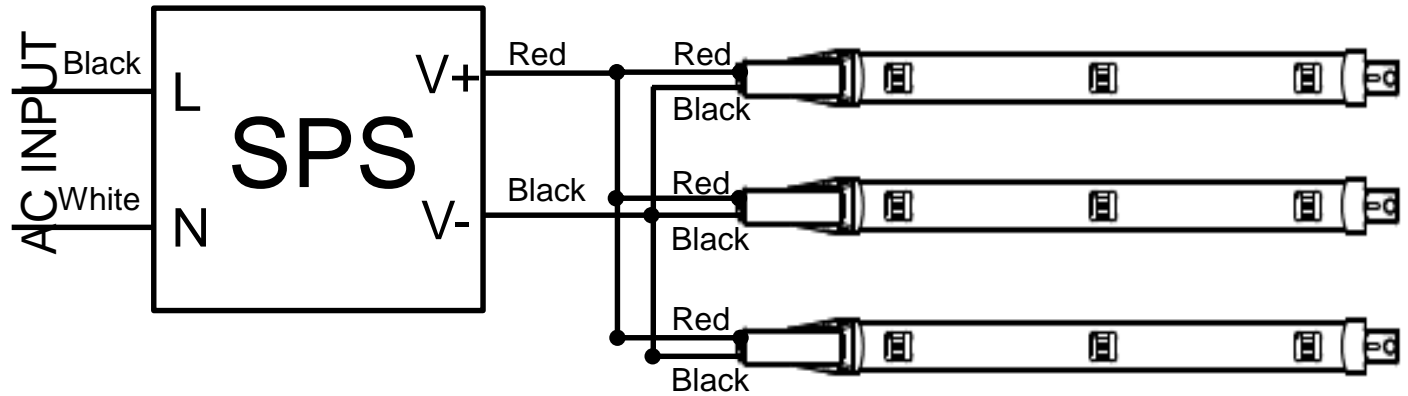
- Refer to refrigeration case manufacturing manual to identify lighting control circuits. Ensure that the power is switched off at the service panel. If a lighting power switch is not provided in the refrigeration case, remove power at the main breaker panel.
- Locate existing lighting components including ballasts, lampholders, lamps, and lampguards in the refrigeration case for removal.
- Remove existing lamps, lampholder and lamp guards. Cut wiring, making the cut as close to the lampholder as possible. Do not remove wiring from case as it will be attached the LED light.
- Locate the ballast in the mullion.
- Disconnect ballast input and output connectors. Cut the ballast connector wires nearest to the connector and then remove. Unscrew the mounting screws that attach ballast to remove ballast
- To install the LED light, identify the wiring for connection to the LED power supply (PS) or driver. After removing the connector from ballast, leave the existing ballast input and output wires for reconnection in a later step.



Fluorescent Component Locations

- A. Lamp with lamp guards located behind mullion
- B. Lamp holders
- C. Ballasts
 1. Mullion
 2. Raceway
 3. Overhead door frame

CL8 Wiring Diagram



CL8 Fixture Model	Watts	Fixtures Per Power Supply		
		25W Power Supply	65W Power Supply	100W Power Supply
		SPSTSL-V25A1040V24	STD-24027L	LED120A0024V41RD
CL8-2A03T-XX-24VD	8	3	8	12
CL8-3A04T-XX-24VD	11	2	6	9
CL8-4A05T-XX-24VD	13	1	4	7
CL8-5A07T-XX-24VD	17	1	3	5
CL8-6A08T-XX-24VD	21	1	3	4

CL8 Series Installation Guide – Page 4 of 4



V1-071714

Information provided subject to change without notice.