



PRODUCT FEATURES

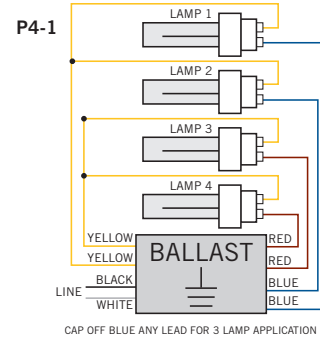
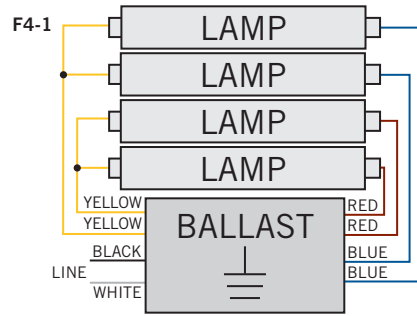
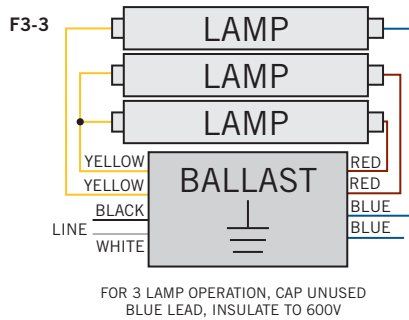
STARTING METHOD: Instant	INPUT VOLTAGE: 120-277VAC ±10%	WARRANTY: 5 Years
LAMP CONNECTION: Parallel	INPUT FREQUENCY: 50/60 Hz	POWER FACTOR: High

- Sound Rated: A
- Minimum Starting Temperature: 0°F, -18°C
- Maximum Case Temperature: 167°F, 75°C
- Meets FCC Part 18 (Class A) Non-Consumer Limits
- Transient Protection Meets ANSI/IEEE62.41 Cat. A
- Ballast frequency for all listed lamps: > 40kHz

ELECTRICAL SPECIFICATIONS

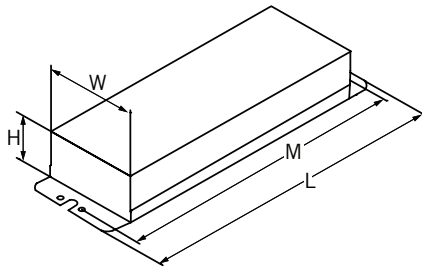
LAMP TYPE	NO. OF LAMPS	INPUT VOLTS	INPUT WATTS	INPUT CURRENT (AMPS)	POWER FACTOR	CREST FACTOR	BALLAST FACTOR	BALLAST EFFICACY FACTOR	MAX THD%	WIRING DIAGRAM
F32T8 32W	4	120	110.0	0.92	0.99	<1.70	0.88	0.80	10	F4-1
		277	106.0	0.38	0.99	<1.70	0.87	0.82	10	F4-1
	3	120	89.0	0.74	0.99	<1.70	0.94	1.06	10	F3-3
		277	88.0	0.32	0.98	<1.70	0.95	1.08	10	F3-3
F32T8 30W	4	120	105.0	0.88	0.99	<1.70	0.86	0.82	10	F4-1
		277	106.0	0.38	0.98	<1.70	0.87	0.82	10	F4-1
	3	120	85.0	0.71	0.99	<1.70	0.93	1.09	10	F3-3
		277	85.0	0.31	0.97	<1.70	0.93	1.09	12	F3-3
F32T8 28W	4	120	100.0	0.83	0.99	<1.70	0.88	0.88	10	F4-1
		277	100.0	0.36	0.98	<1.70	0.87	0.87	10	F4-1
	3	120	83.0	0.69	0.99	<1.70	0.98	1.18	10	F3-3
		277	84.0	0.30	0.97	<1.70	0.99	1.18	12	F3-3
F32T8 25W	4	120	94.0	0.78	0.99	<1.70	0.94	1.00	10	F4-1
		277	94.0	0.34	0.98	<1.70	0.93	0.99	10	F4-1
	3	120	77.0	0.64	0.99	<1.70	1.01	1.31	10	F3-3
		277	77.0	0.28	0.97	<1.70	1.01	1.31	12	F3-3
F25T8 25W	4	120	83.0	0.69	0.99	<1.70	0.82	0.99	10	F4-1
		277	84.0	0.30	0.97	<1.70	0.83	0.99	12	F4-1
	3	120	69.0	0.58	0.99	<1.70	0.91	1.32	10	F3-3
		277	70.0	0.25	0.97	<1.70	0.92	1.31	12	F3-3
F17T8 17W	4	120	62.0	0.52	0.99	<1.70	0.90	1.45	10	F4-1
		277	62.0	0.22	0.96	<1.70	0.90	1.45	12	F4-1
	3	120	51.0	0.43	0.99	<1.70	0.99	1.94	10	F3-3
		277	51.0	0.18	0.95	<1.70	0.99	1.94	15	F3-3
F40T8 40W	3	120	109.0	0.91	0.99	<1.70	0.90	0.83	10	F3-3
		277	108.0	0.39	0.98	<1.70	0.89	0.82	10	F3-3
PLL 25W	4	120	101.0	0.85	0.99	<1.70	0.89	0.88	10	P4-1
		277	100.0	0.37	0.98	<1.70	0.89	0.89	10	P4-1
	3	120	82.0	0.68	0.99	<1.70	0.95	1.16	10	P4-1
		277	82.0	0.30	0.98	<1.70	0.96	1.17	10	P4-1
PLL 28W	4	120	117.0	0.98	0.99	<1.70	0.92	0.79	10	P4-1
		277	117.0	0.43	0.98	<1.70	0.93	0.79	10	P4-1
	3	120	97.0	0.81	0.99	<1.70	1.00	1.03	10	P4-1
		277	97.0	0.36	0.98	<1.70	1.01	1.04	10	P4-1
PLL 40W	3	120	100.0	0.84	0.99	<1.70	0.75	0.73	10	P4-1
		277	100.0	0.37	0.98	<1.70	0.75	0.74	10	P4-1

WIRING DIAGRAMS



Instant Start
T8 ballasts
require the use
of Shunted
lampholders/
sockets.

CASE STYLE/DIMENSIONS



CASE DIMENSIONS

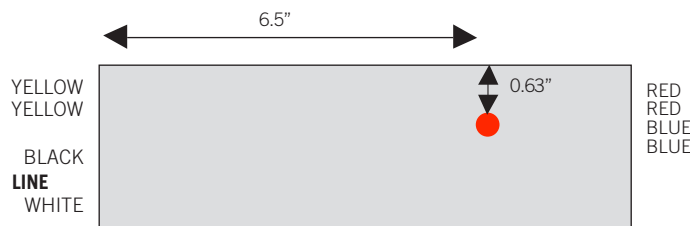
LENGTH: 9.50"
WIDTH: 1.38"
HEIGHT: 1.18"
MOUNTING: 8.90"
UNIT WEIGHT: 1.21 lbs

STANDARD LEAD LENGTHS*

BLACK: 25.00"
WHITE: 25.00"
BLUE: 31.00" X 31.00"
RED: 31.00" X 31.00"
YELLOW: 45.00" X 45.00"

*Consult Keystone for special lead length requirements.

HOT SPOT LOCATION



ORDERING INFORMATION

ORDER CODE	PACKAGING STYLE	PACK QTY.	ITEM STATUS
KTEB-432-UV-IS-N-P-DP	Distributor	10	Quick Ship
KTEB-432-UV-IS-N-P-CP	Carton	40	Active

CATALOG NUMBER BREAKDOWN

KTEB-432-UV-IS-N-P

