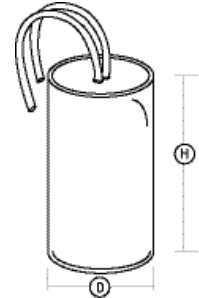


ProLume. High Pressure Sodium Ballast Specifications

PN# 55106

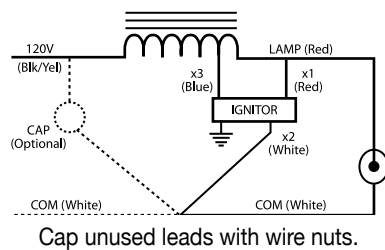
BALLAST SPECIFICATIONS	
Input Volts	120V
Frequency	60Hz
Circuit Type	R-HPF
Input Power	83W
Starting Current	1.0A
Operating Current	1.65A
Open Circuit Current	1.35A
Recommended Fuse	4A
Open Circuit Volts	120V
Short Circuit Current (Input)	0.5-1.5A
Short Circuit Current (Secondary)	1.6-2.4A
Insulation System	Class H, 180°C
UL 1029 Bench Top Rise Code	A
Min. Starting Temp	-22°F / -30°C

CAPACITOR*

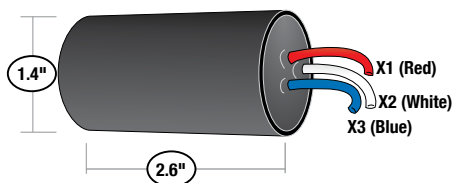


Diameter: 1.96"
 Height: 4.70"
 Cap.: 28µF
 Minimum Volts: 120V
 Case Max. Temp.: 100°C
 *Capacitor is optional and not included

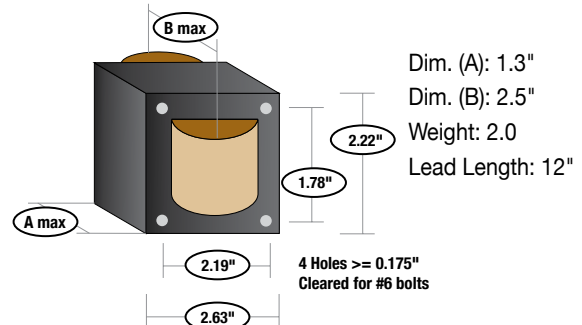
WIRING DIAGRAM



IGNITOR



BALLAST DIMENSIONS



Actual performance can vary depending on operating conditions. Specifications are subject to change without notice. All specifications are nominal unless otherwise noted.