

# 235-A-TC-P

## Application and Performance Specifications

**Description:** Electromagnetic ballast for (1) fluorescent lamp as indicated below:

- Line Voltage: 120 vac, + 5%, - 10%, 60Hz
- Preheat Start
- Low Power Factor

Typical Performance Data

Lamp		Input Current ( Amps )	Input Power ( Watts )	Power Factor	Ballast Factor	Ballast Efficacy Factor	T.H.D. %	Crest Factor
Type	#							
<b>F13T5</b>	<b>1</b>	<b>0.3</b>	<b>20</b>	<b>&lt; .60</b>	<b>.90</b>	<b>4.50</b>	<b>&lt; 10</b>	<b>&lt; 1.7</b>
FT13W/G24d	1	0.34	22	< .60	.92	4.18	< 10	< 1.7
FT10W/GR10q	1	0.36	22	< .60	.95	4.32	< 10	< 1.7
FT10W/G24d	1	0.38	22	< .60	.97	4.41	< 10	< 1.7

Application and Performance Specification Information Subject to Change without Notification.

### Performance:

- Designed in accordance with ANSI C82.1
- Compatible with PLC and IR systems
- Lag type circuit

### Safety:

- No PCB's
- UL listed (Class P, Indoor and Type 1 Outdoor,HL)
- CSA Certified
- Thermally Protected

### Application:

- Minimum Starting Temperature: 5° F, -15° C for  
d lamps; 50° F, 10° C for other lamps
- Maximum Ballast Case Temperature not to exceed 90° C
- Sound Rated: A
- Remote Mounting: 20 feet with minimum 18 AWG  
( refer to TechNote # 7b for other wire sizes/lengths )

### Mechanical:

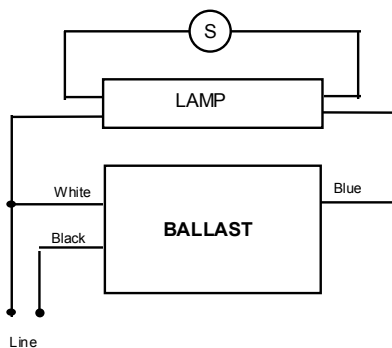
- Length:
- Width:
- Height:
- Lead Length ( inches, ± 1 ):
- Weight:

Overall	Mounting
6 7/16"	6"
1 7/8"	
15/16"	
Black 16	
White, Blue 16	
1.9 lbs.	

### Warranty:

Universal Lighting Technologies warrants to the purchaser that each electronic ballast will be free from defects in material or workmanship for a period of 24 months from date of manufacture when properly installed and under normal conditions of use. Call **1-800-BALLASTx800** for technical assistance.

**Manufactured in North America**



**Ballast must be grounded. Install in accordance with National Electric Code.**